




PRODUCTS

- Products Home
- Size Table
- Accessories
- Customization
- + A-Series
- + C-Series
- + CA-Series
- + CH-Series
- + G-Series
- + H-Series
- + M-Series
- + R-Series
- + RX-Series
- + S-Series
- + SL-Series

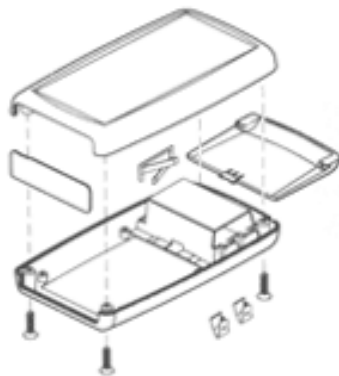
Products: H-Series

H-67 (9V)



MODEL	LENGTH	WIDTH	HEIGHT	DRAWINGS	
				(.pdf)	(.dwg)
 H-67, 9V	4.940"	2.750"	1.275"		

FEATURES



- Three piece design with ergonomic handheld shape
- Replaceable end panels ([see accessories below](#))
- 1 x 9V battery compartment with contactors
- Circuit board mounting bosses (adjustable height, [see in-mold customization](#))
- Assembly with four screws
- Customization available
 - five insert areas/I-Plates (top and bottom, internal top and bottom, and face place)
 - machining
 - pad printing

COLORS



Black



Almond



Gray

[Custom Colors Also Available](#)

[RETURN TO TOP](#)

ACCESSORIES (Click an accessory for compatible models and part numbers)



**Infrared, Clear and
Transparent End Panels
Pocket Clip**



Pocket Clip

**Infrared, Clear and
Transparent Faceplates**

[RETURN TO TOP](#)

[Home](#) | [About SERPAC](#) | [Products](#) | [Accessories](#) | [Customizations](#) | [Distributors](#) | [Buy Now!](#) | [Contact Us](#)
[PRODUCTS: A-Series](#) | [C-Series](#) | [CA-Series](#) | [CH-Series](#) | [G-Series](#) | [H-Series](#) | [M-Series](#) | [R-Series](#) | [S-Series](#) | [SL-Series](#)

© 2004, SERPAC Electronic Enclosures. All Rights Reserved